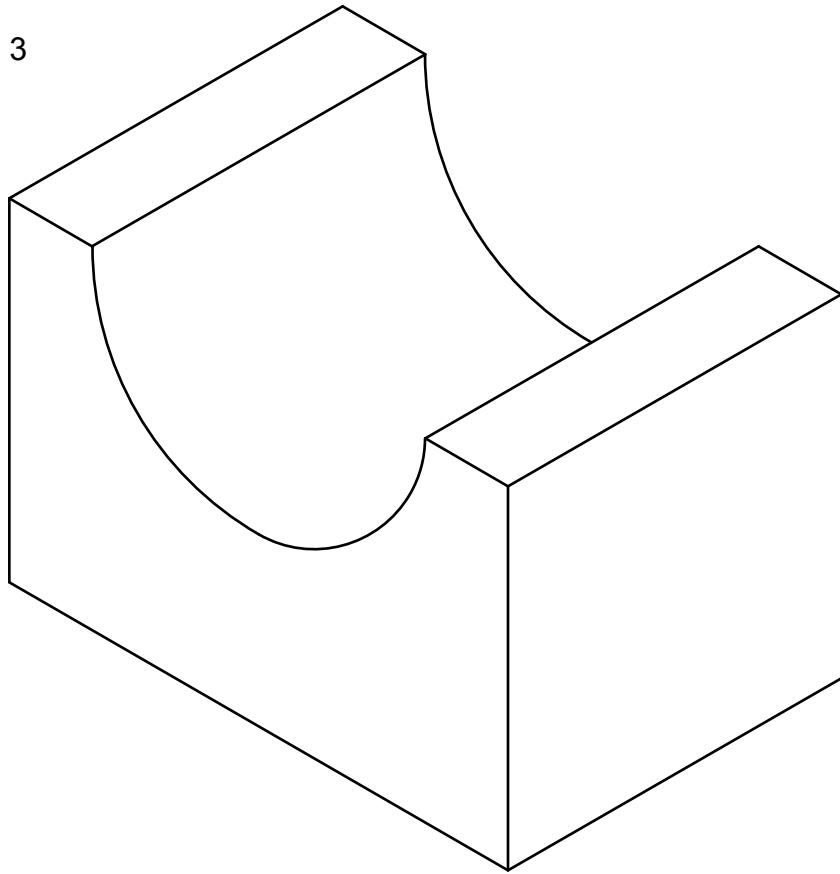
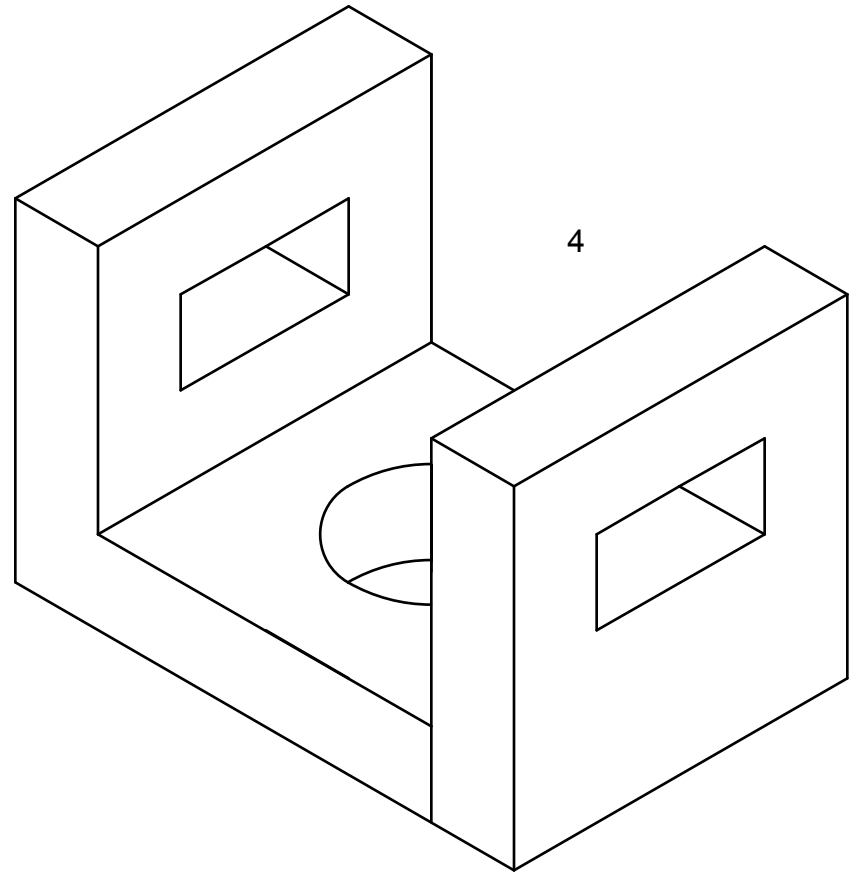


3



4



STEVENSON HIGH SCHOOL
TECHNOLOGY EDUCATION DEPARTMENT
TECHNICAL DRAWING PROGRAM

DRN BY: Anvesh Jalsutram

DATE: 11/9/11

SCALE: 1 to 1

1

1